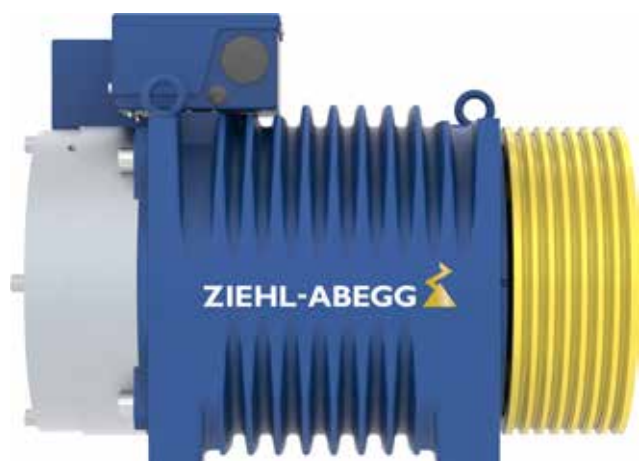


Movement by Perfection



The Royal League in ventilation, control and drive technology



ZA top

The gearless elevator machine
SM200.40D and SM200.45D

Performances which convinces

Expansion of the SM200 series for the medium load segment.

Advantages:

- More torque
- Higher axle load
- Higher payload
- Brake without overexcitation

Description

- Permanent magnet synchronous motor with NdFeB magnets
- Installation width designed for the narrowest shaft dimensions
- High efficiency
- Noise emissions: < 50 dB(A)
- Traction sheave: 160 mm - 500 mm
- Separately controllable brake circuits, type-tested as safety device against uncontrolled and unintended car movement
- Temperature monitoring by PTC or KTY thermistor

Scope of delivery

- Gearless elevator machine
- Type-tested brake system
- Traction sheave
- Absolute encoder type Heidenhain ECN1313 EnDat
- Rope guard according to EN 81-20

Options

- Absolute encoder type Heidenhain ECN1313 SSI or ERN1387
- Mechanical hand release system for brake
- Pre-parametrised frequency inverter ZAdyn
- Forced ventilation

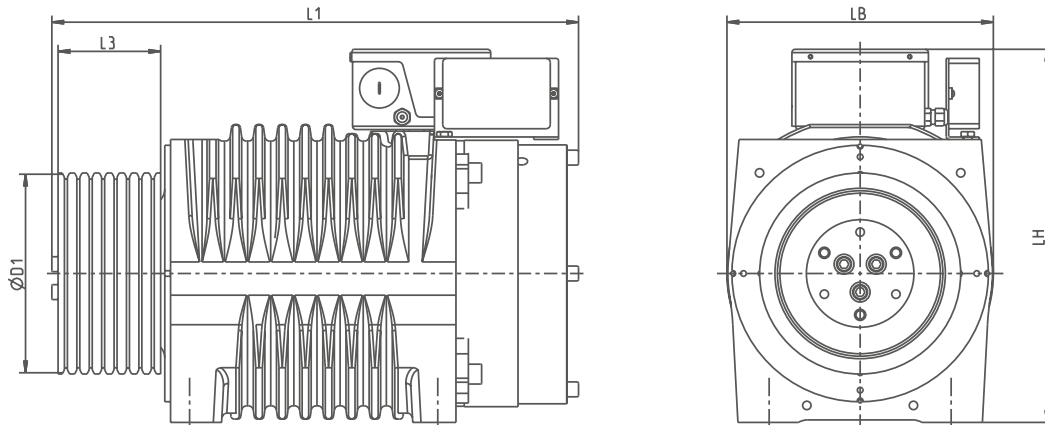


SM200.40D
AVAILABLE IN
SUMMER 2017

Technical data

Motor type	Nominal torque [Nm]	Max. axle load [kg]	Nominal speed [min ⁻¹]	Rated output power [kW]
SM200.40D	600	3300	96...300	6.0...18.8
SM200.45D	710	3600		7.1...20.4

Dimensions



Motor type	L1 [mm]	LH [mm]	LB [mm]	D1 [mm]	L3 [mm]	Weight [kg]
SM200.40D	668	451	322	160	143	269
	685		322	240	173	292
	637		322	200	106	271
	637		322	240	124	284
	640		360	320	122	296
	367		422	400	95	299
	367		520	500	90	318
SM200.45D	668	451	322	160	143	280
	685		322	240	173	303
	637		322	200	106	282
	637		322	240	124	295
	640		360	320	122	307
	637		422	400	95	310
	637		520	500	90	329

Example configurations

Suspension	Max. payload [kg]	Speed [m/s]	Motor type [mm]	Traction sheave [mm]	Motor power [kW]	Rated current [A]
1:1	630	1.0	SM200.40D	320	4.1	19.5
	630	1.6	SM200.40D	320	6.5	19.5
	675	1.0	SM200.45D	320	4.2	19.9
	675	1.6	SM200.45D	320	6.9	20.3
	750	1.0	SM200.45D	320	4.9	24.1
2:1	1000	1.0	SM200.40D	320	6.9	19.2
	1000	1.6	SM200.40D	320	11.0	29.3
	1050	1.0	SM200.45D	400	6.8	20.2
	1050	1.6	SM200.45D	400	11.5	31.9
	1350	1.0	SM200.40D	240	8.9	24.0
	1350	1.6	SM200.40D	240	14.2	34.6
	1350	1.0	SM200.45D	320	8.8	24.8
	1350	1.6	SM200.45D	320	14.7	39.9
	1600	1.0	SM200.45D	240	10.4	27.2
	1600	1.6	SM200.45D	240	18.1	45.8

The Royal League

